

Data sheet

Cable sharing adapter pnp 3

Page 1/4

P/N
130548-03-E

EAN 4250184102113

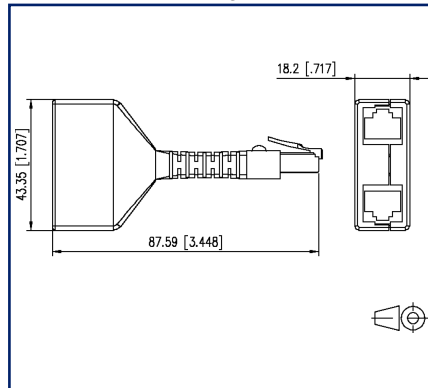
2025/09/16

Version: AI

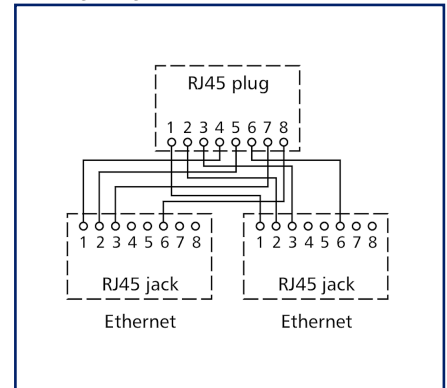
Illustrations



Dimensional drawing



Wiring diagram



See enlarged drawings at the end of document

Product specification

- cable sharing adapter for simultaneous operation of two 4-wire services, here: 2 x Ethernet, via an 8-wire installation line
- use in pairs: one adapter on wall outlet, one adapter on distributor
- shielded adapter with class E transmission properties in the link according to IEC 11801 and DIN EN 50173-1
- 2 x Ethernet up to 100 MBit E / Fast Ethernet
- slim shape allows plugging next to each other
- short, flexible connection
- delivered as set of two pieces



Data sheet
Cable sharing adapter pnp 3

P/N
130548-03-E
EAN 4250184102113
 2025/09/16
 Version: AI

Technical Data

General Data

Mechanical measurement according to MICE	M1
Ingress measurement according to MICE	I1
Climatic measurement according to MICE	C1
Electromagnetic measurement according to MICE	E2
Design	Adapter
Shielding	shielded
Transmission technology	Copper
Wiring	Ethernet - Ethernet
Color	silver
Dimensions	
Dimension (L x W x H)	87.59 mm x 18.2 mm x 43.35 mm
Dimension (L x W x H)	3.448 in. x 0.717 in. x 1.707 in.
Labeling option	on housing

Transmission characteristics

Class (ISO/IEC)	E
Transmission rate up to 100 MBit (Fast Ethernet)	IEEE 802.3u

Connections/interfaces

Connector technology interface 1	RJ45 plug
Connector technology interface 2	2 x RJ45-jack
Number of ports interface 2	2
Number of ports interface 2 equipped	2
Number of positions/contacts interface 1	8P/8C
Number of positions/contacts interface 2	2 x 8P/4C

Mechanical data

Life - Number of mating cycles	min. 750
Position/mounting of latch standard installation position	top and bottom

Cable sharing adapter pnp 3

P/N

130548-03-E

EAN 4250184102113

2025/09/16

Version: AI

Technical Data

Materials and material properties

Halogen free yes

RoHS compliant

Standards/Regulations

Generic cabling systems

General requirements ISO/IEC 11801 Ed.2.2:2011-06 | DIN EN 50173-1:2011-09
ANSI/TIA-568-C

Connectors for electronic equipment

circular connector DIN EN 61076-2-109:2010-08

Classifications

ETIM 7.0 EC001671

ETIM 8.0 EC001671

ETIM 9.0 EC001671

ETIM 10.0 EC001671

Packing details

Type of packaging 1 pc(s) / box

Application note

This product is a standard product of METZ CONNECT. METZ CONNECT is not aware of the specific intended use of the goods by the Customer or any customers of the Customer. The Customer guarantees that it has fully and sufficiently tested the use of the goods and any product modifications, product changes or product enhancements with regard to the specific intended use in accordance with the state of the art or in any other way. At METZ CONNECT's request, the Customer shall submit and make available meaningful evidence (e.g. test and laboratory protocols, certifications, etc.).



Cable sharing adapter pnp 3

P/N

130548-03-E

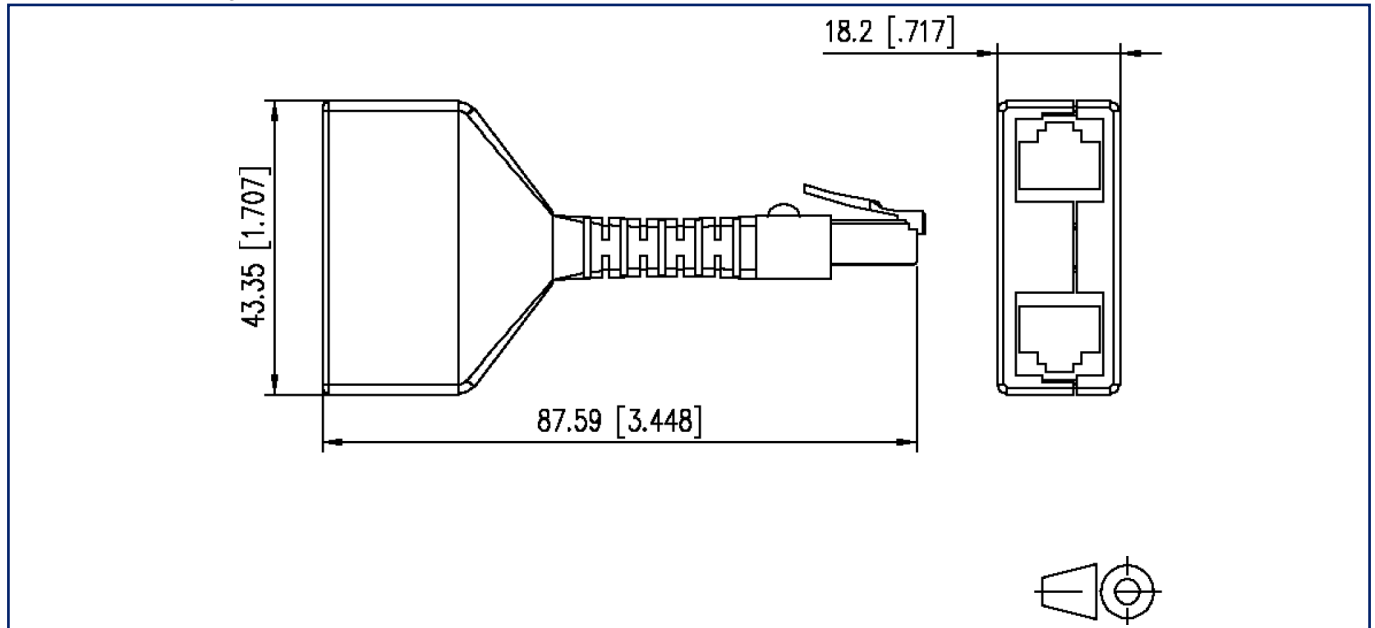
EAN 4250184102113

2025/09/16

Version: AI

Illustrations

Dimensional drawing



Wiring diagram

