

# Data sheet

## MARK-F-E08 24 V DC, 12 V DC

Page 1/7

P/N

1106572770

EAN 4251394629261

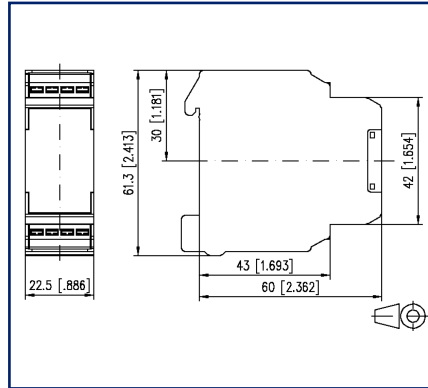
2025/11/03

Version: O

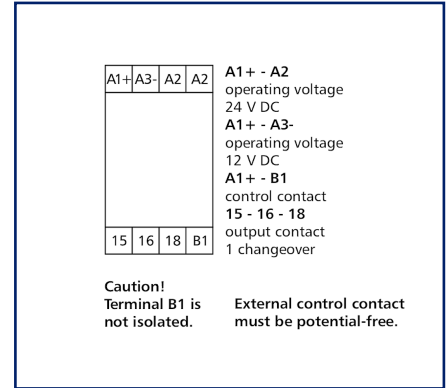
### Illustrations



Dimensional drawing



Wiring diagram



See enlarged drawings at the end of document

### Product specification

Multifunctional timer relay with incorporated coding switches to set functions. The time is set by means of a linear potentiometer on a relative scale.

- Connection with spring clamp terminal blocks (push-in)
- Eight adjustable time ranges from 0.15 s to 10 h
- Two selectable functions
  1. On-delayed
  2. Off-delayed



Data sheet

**MARK-F-E08 24 V DC, 12 V DC**

P/N

1106572770

EAN 4251394629261

2025/11/03

Version: O

**Technical Data**

<b>Supply</b>	
Operating voltage	24 V DC / 12 V DC -10% ... +10%
Time Ranges	
Time range adjustable	0.15 s - 10 h
<b>Outputs</b>	
Contacts	1 changeover contact
Contact material	AgSnO <sub>2</sub>
Switching voltage (max.)	250 V AC
Continuous Current	6 A
Switching frequency	1200 switching cycles/h
Mechanical life	1x10 <sup>7</sup> switching cycles
Electrical life	1x10 <sup>5</sup> switching cycles
Recovery time	
Recovery time (control contact)	> 50 ms
Indicator	green and red LED
<b>Insulation coil - contact set</b>	
Nominal voltage of the power supply system	230 / 400 V AC
Overvoltage category	III   II
Degree of pollution	2   2
Rated test voltage	4 kV   2.5 kV
Type of insulation	basic insulation   reinforced insulation
<b>Housing</b>	
Dimensions	
Dimension (W x H x D)	22.5 mm x 61.3 mm x 60 mm
Dimension (W x H x D)	0.886 in. x 2.413 in. x 2.362 in.
Weight	70 g
Mounting style	Standard rail TH35
Mounting position	any
Apposition	without distance
Connection type	Spring clamp terminal blocks

Data sheet

**MARK-F-E08 24 V DC, 12 V DC**

P/N

1106572770

EAN 4251394629261

2025/11/03

Version: O

**Technical Data**

**Terminal blocks**

Wire cross section solid	0.2 mm <sup>2</sup> - 2.5 mm <sup>2</sup> / AWG 24-14
Wire cross section multi	0.25 mm <sup>2</sup> - 2.5 mm <sup>2</sup> / AWG 24-12
Wire cross section with wire ferrule	0.25 mm <sup>2</sup> - 1.5 mm <sup>2</sup> / AWG 24-16
Stripping length (min.)	8 mm

**Material**

Material - Housing	Polyamid 6.6 V0
Color	gray
Material - Terminal block	Polyamid 6.6 V0
Material - Covers	Polyamid 6.6 V0

**Protection category according to IEC 60529**

Protection category - housing (acc. to IEC 60529)	IP40
Protection category - terminal blocks (acc. to IEC 60529)	IP20

**Climatic Data**

Operating

Temperature - Operating °C	-10 °C - 55 °C
Temperature - Operating °F	14 °F - 131 °F
Relative humidity	max. 85 % non-condensing

Storage

Temperature - Storage °C	-25 °C - 70 °C
Temperature - Storage °F	-13 °F - 158 °F

**Power loss**

Power loss (typical)	1 W
----------------------	-----

**Classifications**

ETIM 7.0	EC001439
ETIM 8.0	EC001439
ETIM 9.0	EC001439
ETIM 10.0	EC001439

Data sheet

Page 4/7

**MARK-F-E08 24 V DC, 12 V DC**

P/N

**1106572770****EAN 4251394629261**

2025/11/03

Version: O

## Technical Data

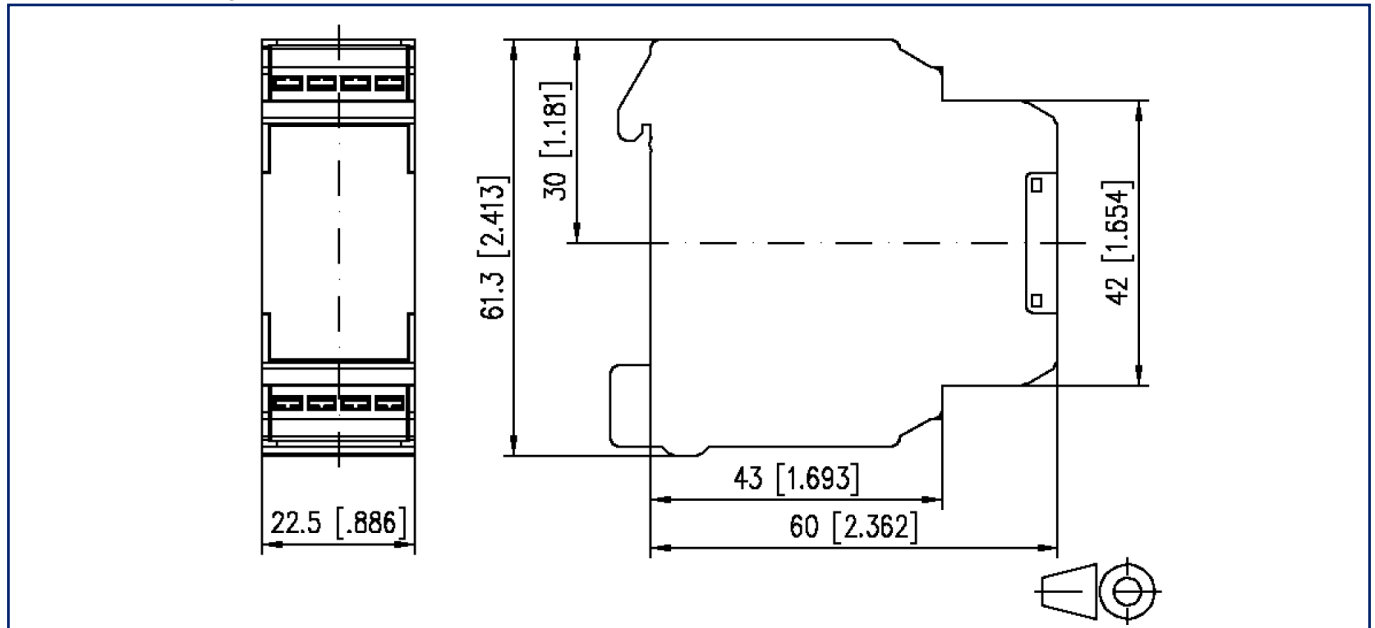
### Application note

This product is a standard product of METZ CONNECT. METZ CONNECT is not aware of the specific intended use of the goods by the Customer or any customers of the Customer. The Customer guarantees that it has fully and sufficiently tested the use of the goods and any product modifications, product changes or product enhancements with regard to the specific intended use in accordance with the state of the art or in any other way. At METZ CONNECT's request, the Customer shall submit and make available meaningful evidence (e.g. test and laboratory protocols, certifications, etc.).

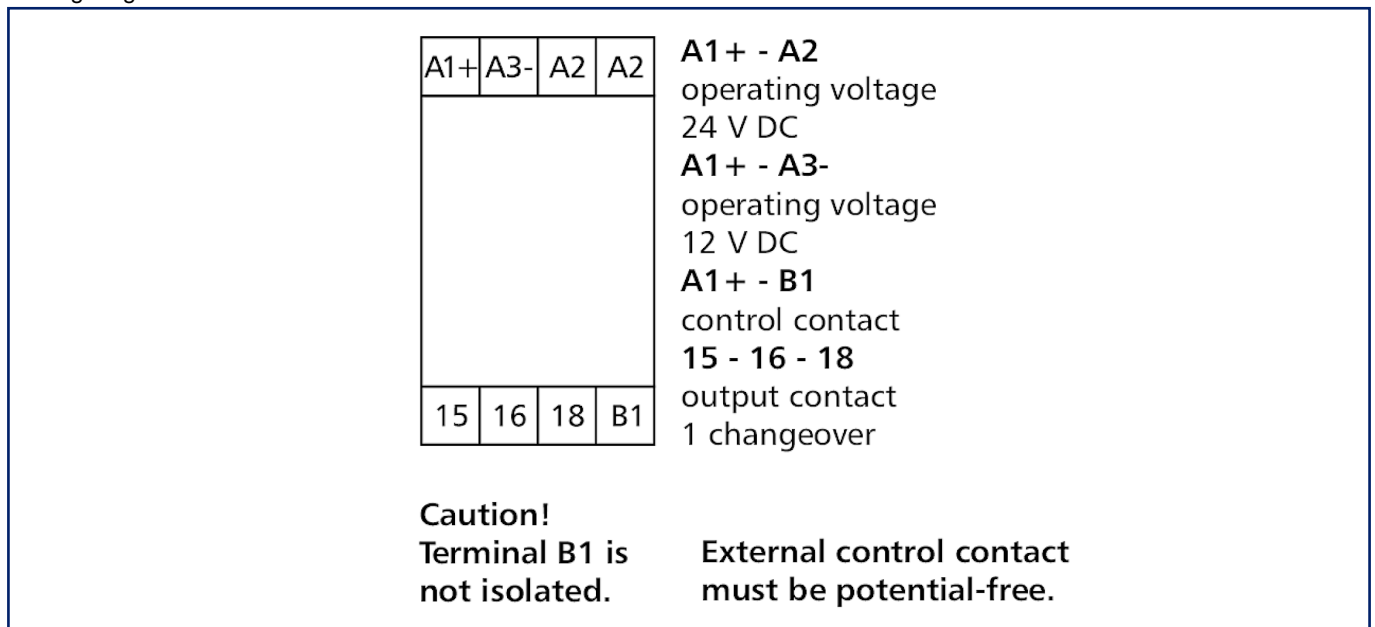


## Illustrations

### Dimensional drawing

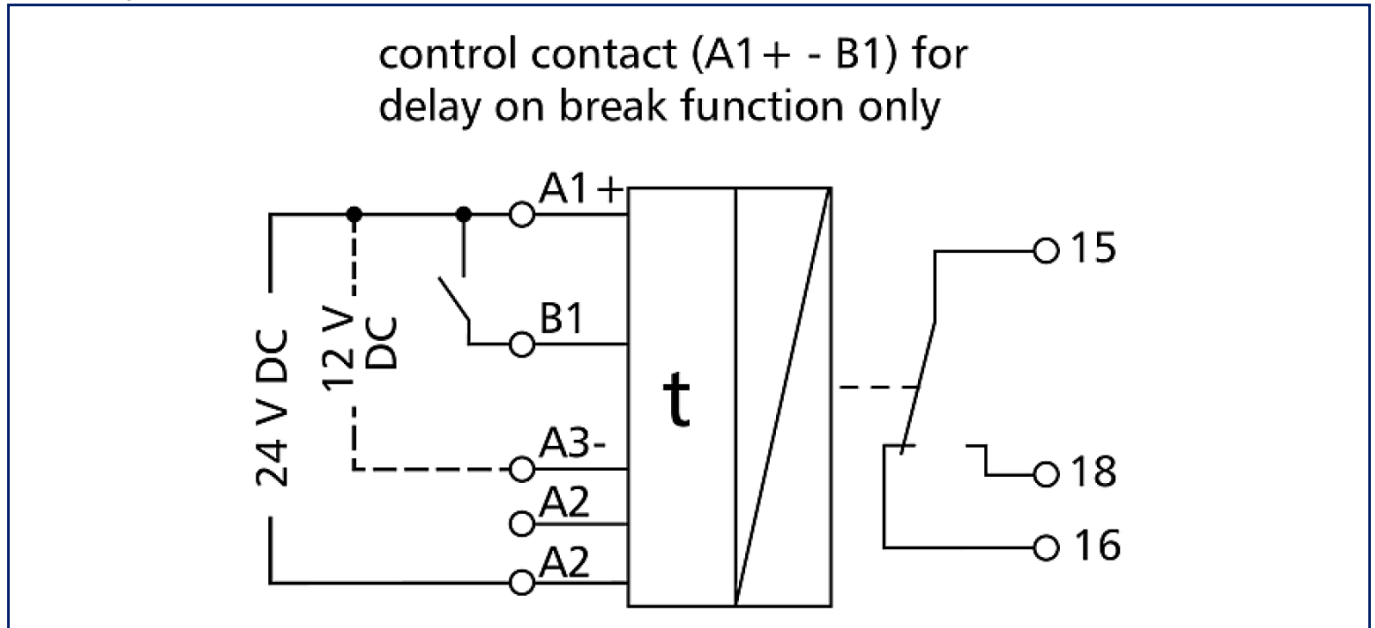


### Wiring diagram

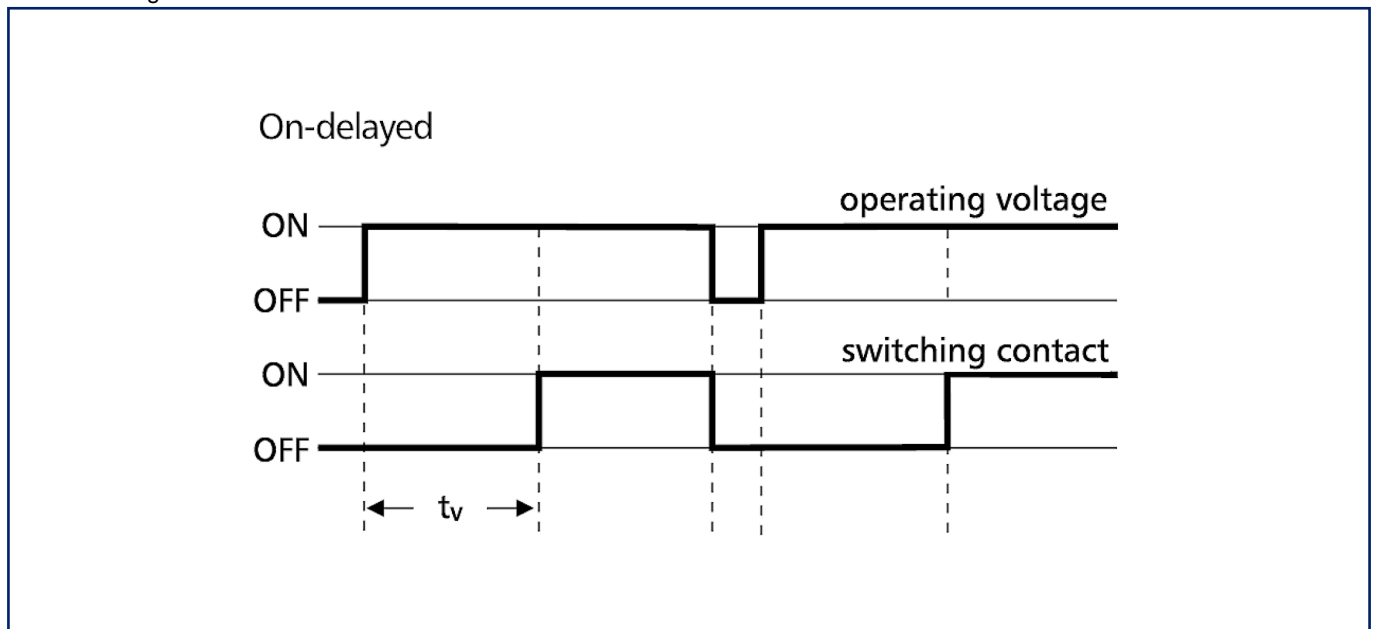


**Illustrations**

Circuit diagram



Function diagram



## Illustrations

### Function diagram

