

Data sheet

MC274-4W 24 V AC

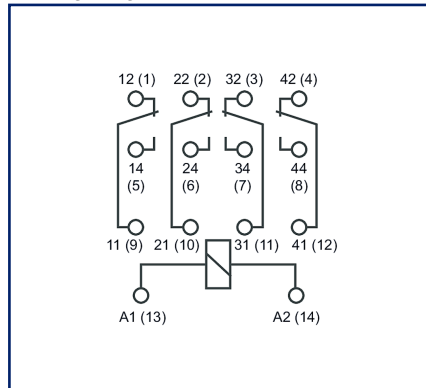
Page 1/7

P/N
110017101407
EAN 4251122194887
2025/08/20
Version: I

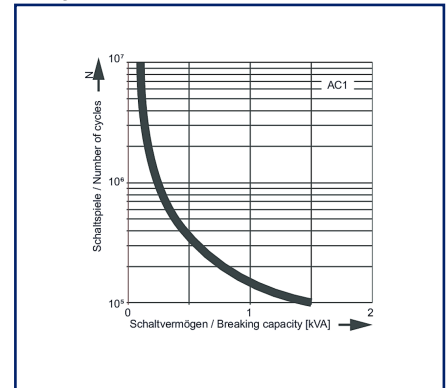
Illustrations



Wiring diagram



Diagramm



See enlarged drawings at the end of document

Product specification

Compact, pluggable relay for industrial use.

- Socket pins as soldering lugs
- Mechanical switch position display
- With manual test button
- Cadmium-free contacts
- LED-Indicator



Data sheet
MC274-4W 24 V AC

P/N
110017101407
EAN **4251122194887**
2025/08/20
Version: I

Technical Data

Supply	
Operating voltage	24 V AC -10% ... +10%
Power consumption (max.)	67 mA
Response time typical	10 ms
Release time typical	8 ms
Coil resistance	158 Ohm
Power consumption coil	1,6 VA
Outputs	
Contacts	4 changeover contacts
Contact material	AgNi
Switching capacity (max.)	1500 VA
Switching frequency	1200 switching cycles/h
Switching voltage (max.)	250 V AC
Switching voltage (min.)	10 V at 30 mA
Switching current (min.)	5 mA
Switching capacity (min.)	300 mW
Continuous Current	7 A
Switch-on current	12 A
Switching capacity	
Switching capacity AC 1	7 A / 230 V AC (VDE), 6 A / 250 V AC
Switching capacity AC 14 (at 120 V)	0,6 A (D300)
Switching capacity AC 14 (at 240 V)	0,3 A (D300)
Switching capacity AC 15 (at 120 V)	1.5 A
Switching capacity AC 15 (at 240 V)	0,75 A (C300)0,75 A (C300)
Breaking capacity (resistive load)	
Mechanical life	1x10 ⁷ switching cycles
Indicator	LED and mechanical
Insulation coil - contact set	
Nominal voltage of the power supply system	250 V AC
Overvoltage category	II
Degree of pollution	2
Rated test voltage	2.5 kV
Type of insulation	basic insulation

Data sheet
MC274-4W 24 V AC

P/N
110017101407
EAN 4251122194887
2025/08/20
Version: I

Technical Data

Housing

Dimensions	
Dimension (W x H x D)	21 mm x 35.5 mm x 27.4 mm
Dimension (W x H x D)	0.827 in. x 1.398 in. x 1.079 in.
Weight	35 g
Mounting style	pluggable
Mounting position	any
Apposition	without distance
Connection type	plug-in connection

Protection category according to IEC 60529

Protection category (acc. to EN 116000-3)	RT I
---	------

Climatic Data

Operating	
Temperature - Operating °C	-40 °C - 55 °C
Temperature - Operating °F	-40 °F - 131 °F
Storage	
Temperature - Storage °C	-40 °C - 85 °C
Temperature - Storage °F	-40 °F - 185 °F
Environment	
Relative humidity	max. 85 % non-condensing

Power loss

Power loss (typical) coil	1.2 W
Power loss (typical) Contact rate	0.4 W

Classifications

ETIM 7.0	EC001437
ETIM 8.0	EC001437
ETIM 9.0	EC001437
ETIM 10.0	EC001437

Data sheet
MC274-4W 24 V AC

Page 4/7

P/N
110017101407
EAN 4251122194887
2025/08/20
Version: I**Technical Data****Application note**

This product is a standard product of METZ CONNECT. METZ CONNECT is not aware of the specific intended use of the goods by the Customer or any customers of the Customer. The Customer guarantees that it has fully and sufficiently tested the use of the goods and any product modifications, product changes or product enhancements with regard to the specific intended use in accordance with the state of the art or in any other way. At METZ CONNECT's request, the Customer shall submit and make available meaningful evidence (e.g. test and laboratory protocols, certifications, etc.).



Data sheet
MC274-4W 24 V AC

Page 5/7

P/N
110017101407
EAN 4251122194887
2025/08/20
Version: I

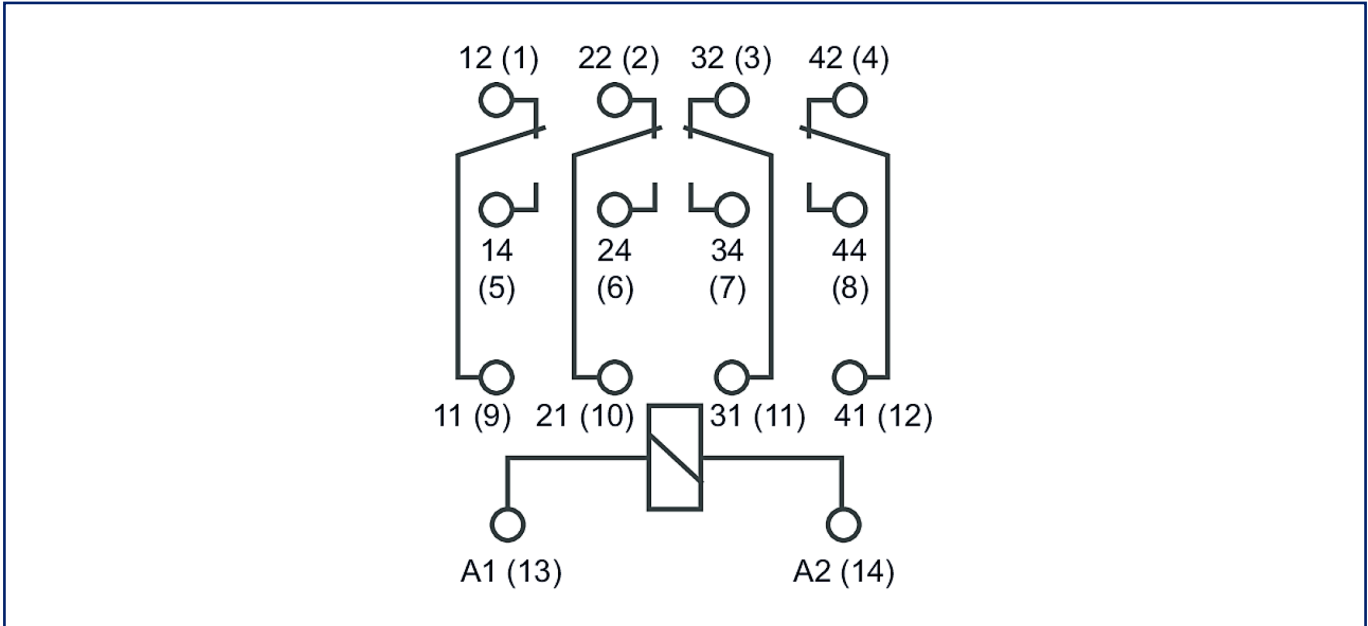
Accessories

P/N	Designation
110175	Socket 14 poles
110178	Socket 14 poles for electronic modules
110185	Socket 14 poles with spring-loaded terminals

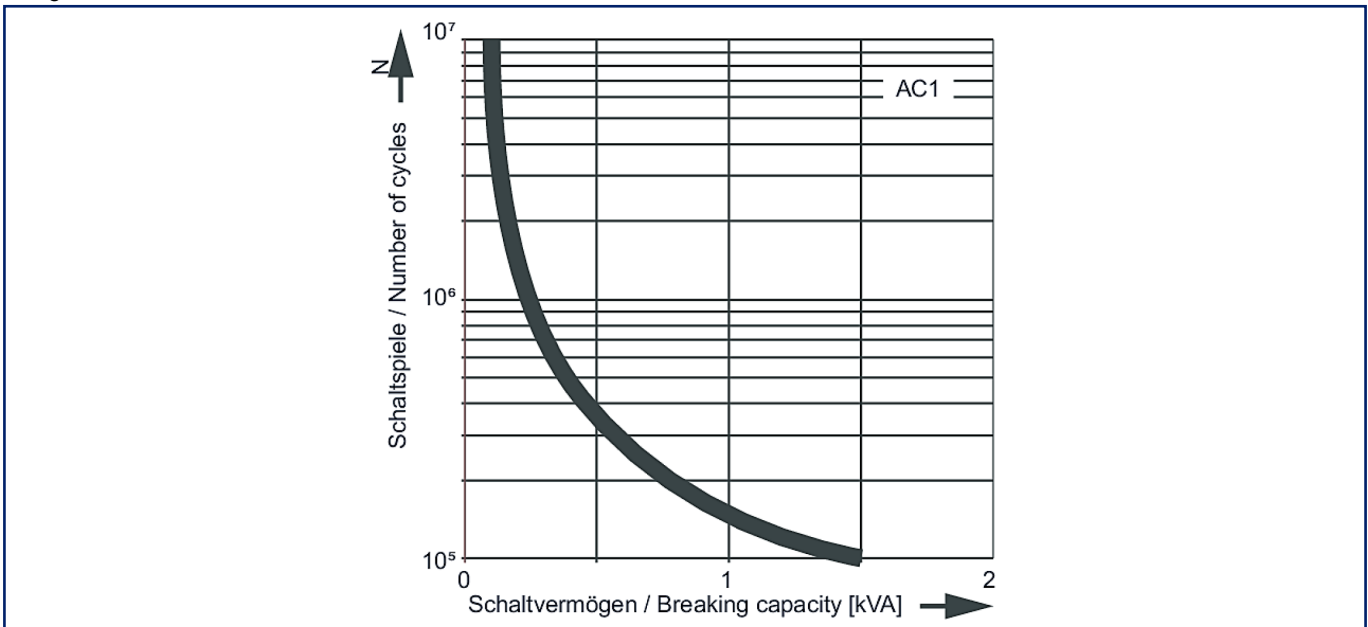


Illustrations

Wiring diagram



Diagramm



Illustrations

Diagramm

