

## Data sheet

### DCCS2 subassembly 6xLC-D OM3 aqua

Page 1/5

P/N

130D2FB51-E

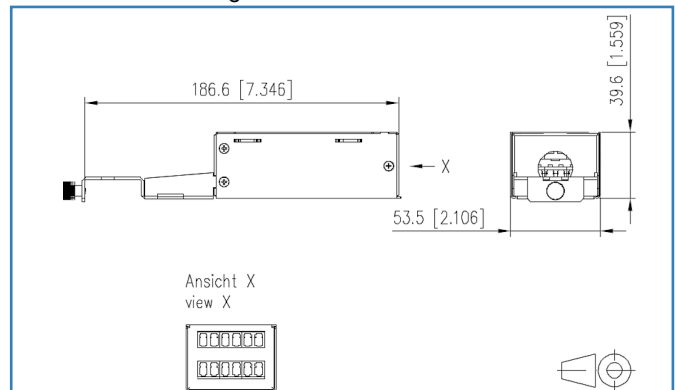
EAN 4250184153771

2017-08-12

## Illustrations



### Dimensional drawing



See enlarged drawings at the end of document

## Product specification

- DCCS2 fiber optic subassembly mounted with 6 LC-D adapters
- port numbering of the DCCS2 19" subassembly frame remains in place when installing the FO subassembly
- the locking levers of patch cords connected to DCCS2 subassemblies show upwards and are easy to handle at any time
- for prefabricated mini breakout cables in customer specific lengths
- solid and refined assembly housing
- mounting version: DCCS2
- variants: blue (SM), green (SM APC), lime green (OM5), heather violet (OM4), aqua (OM3)

### Technical Data

#### General Data

Fields of application	Structured building cabling, Data center
Design	Subassembly
Mounting style	DCCS
Transmission technology	Fiber optic
Port numbering	yes
Color	aqua
Dimensions	
Dimension (L x W x H)	186.60 x 53.50 x 39.60 mm
Dimension (L x W x H)	7.346 x 2.106 x 1.559 in.
Inches	19 inches
Fiber class	OM3: ISO/IEC 11801/EN 50173 & IEC 60793-2-10/EN 60793-2-10 A1.a.2
Mode type of the fiber	Multimode

#### Connections/interfaces

Connector technology interface 1	LC-D Couplers
Connector technology interface 2	LC-D Couplers
Number of ports interface 1	12
Number of ports interface 2	12
Number of equipped ports interface 1	12
Number of ports interface 2 equipped	12
Number of ports with dust protection interface 1	12
Number of ports with dust protection interface 2	12

#### Mechanical characteristics

Cut-out	SC, LC-D, E2000
Connector type	Duplex
Life - Number of mating cycles	min. 1000
strain relief	cable tie + fixing bolt for the kevlar of the cable

#### Materials and material properties

Material - Assembly housing	sheet steel
Material - Assembly housing finish	Zn (zinc)
Material - Sleeve	ceramic, slotted
Material - Coupler housing	Plastics

**DCCS2 subassembly 6xLC-D OM3 aqua**

P/N

130D2FB51-E

EAN 4250184153771

2017-08-12

**Technical Data****Approvals**

RoHS	compliant
------	-----------

**Classifications**

ETIM 5.0	EC002697
----------	----------

ETIM 6.0	EC002699
----------	----------

**Packing details**

Type of packaging	1 pc(s) / box
-------------------	---------------

Packaging dimension (W x H x D)	230.00 x 70.00 x 55.00 mm
---------------------------------	---------------------------

Packaging dimension (W x H x D)	9.055 x 2.756 x 2.165 in.
---------------------------------	---------------------------



Data sheet

## DCCS2 subassembly 6xLC-D OM3 aqua

Page 4/5

P/N

130D2FB51-E

EAN 4250184153771

2017-08-12

### Accessories

P/N	Designation
130D2B1B-E	DCCS2 BGT 19 inch 1RU subrack black
130D2B1G-E	DCCS2 BGT 19 inch 1RU subrack light gray



### Illustrations

#### Dimensional drawing

